



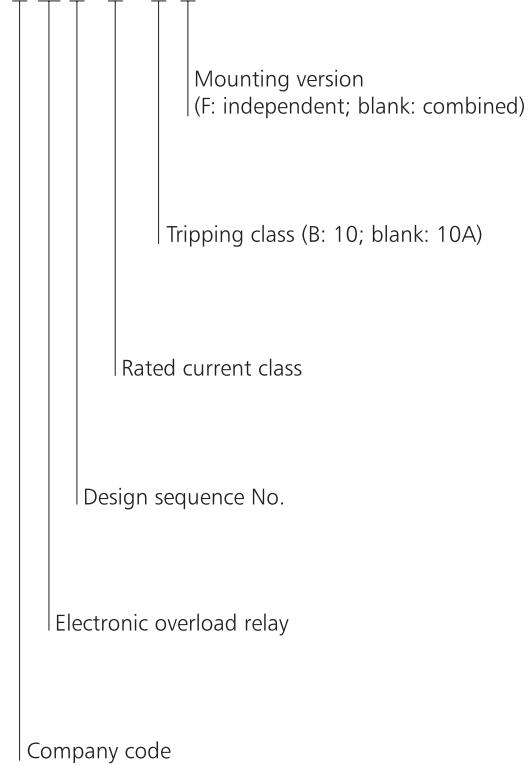
## NRE8 Electronic Overload Relay

### 1. General

- 1.1 Certificates: CE, UL;
- 1.2 Electrical ratings: AC50/60Hz, 690V;
- 1.3 Standards: IEC/EN 60947-4-1, UL508

### 2. Type Designation

N RE 8 - □ / □ □



### 3. Features

- 3.1 Three-phase electronic type, tripping class 10A and 10;
- 3.2 Energy saving up to 80% compared with bimetallic type;
- 3.3 Phase-failure protection;
- 3.4 Current setting continuously adjustable;
- 3.5 Two indicator lights available for indicating normal, overload time-delay, phase-failure and phase-failure time-delay status respectively;
- 3.6 Manual test mechanism;
- 3.7 Manual reset button;
- 3.8 A pair of N/C and N/O contacts;
- 3.9 Two mounting versions: independent or combined with a contactor.

### 4. Technical Data

- 4.1 Main Circuit: Rated insulation; Voltage: AC 690V; Rated frequency: 50/60Hz;
- 4.2 Auxiliary Circuit: Rated insulation; Voltage: AC 400V; Rated frequency: 50/60Hz; See table below for other ratings.

Utilization category	AC-15		DC-13
Rated operational voltage Ue (V)	230	400	220
Rated operational current Ie (A)	2.5	1.5	0.2
Conventional heating current (A)	5		



4.3 Wiring. Connection of main circuit is PVC insulation copper conductor or cable. See table below for details:

Current range (A)	Cross section area (mm <sup>2</sup> )	Length (m)	Number of piece
$I \leq 8$	1.0	1	1
$8 < I \leq 12$	1.5	1	1
$12 < I \leq 20$	2.5	1	1
$20 < I \leq 25$	4.0	1	1
$25 < I \leq 32$	6.0	1	1
$32 < I \leq 50$	10	1	1
$50 < I \leq 65$	16	1	1
$65 < I \leq 85$	25	1	1
$85 < I \leq 115$	35	1	1
$115 < I \leq 150$	50	2	1
$150 < I \leq 175$	75	2	1
$175 < I \leq 225$	95	2	1
$225 < I \leq 250$	120	2	1
$250 < I \leq 275$	150	2	1
$275 < I \leq 350$	185	2	1
$350 < I \leq 400$	240	2	1
$400 < I \leq 500$	150	2	2
$500 < I \leq 630$	185	2	2

#### 4.4 Protection Characteristics

4.4.1 Operation characteristic under three-phase balanced-load status as per the table below.

Series No.	I/In	Operating time		Test condition	Ambient temperature (°C)
1	1.05	<2h non-tripping		Cold status	(20±5)°C
2	1.20	<2h tripping		Starts from hot status, right after item no.1	
3	1.50	Class 10A	≤ 2 min		
		Class 10	≤ 4 min		
4	7.20	Class 10A	2s < Tp ≤ 10s	Cold status	
		Class 10	4s < Tp ≤ 10s		

Under three-phase operation, if relay current reaches and maintains 1.05 times of the current setting, the green lamp flashes and red lamp does not light up, which indicates that the relay is not at over-load time-delay status, which equals to non-operation in 2 hours in serial No. 1 of the table above. A current tolerance for serial No.1 is -3%, and a current tolerance for No.2 is +3% .

Cold status implies the status of the power re-energized of main circuit of relay 5 seconds after its power off.

4.4.2 Operation characteristic under phase-failure status as per the table below.

Series No.	I/In		Operating time Tp	Test condition	Ambient temperature °C
	Any two phases	The third phase			
1	1.0	0.9	<2h non-tripping	Starts from cold status	(20±5)°C
2	1.15	0	<2h tripping	Starts from hot status, right after item No.1	

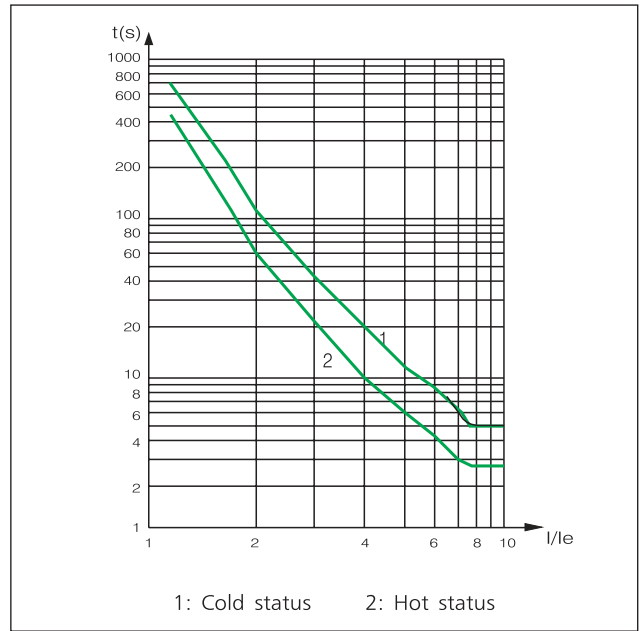
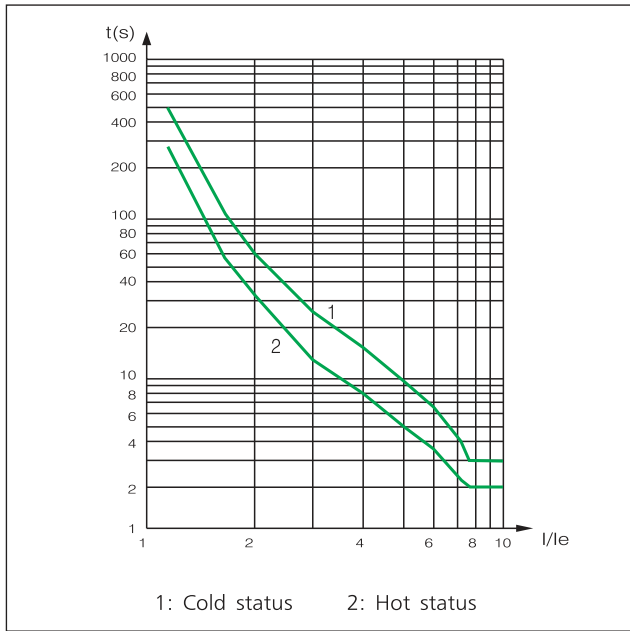
Under phase failure operation, if relay current reaches and maintains 1.0 times of the current setting, the red lamp flashes and green lamp does not light up, which equals to non-operation in 2 hours in serial No.1 of the table above.

When current reaches and exceeds 1.15 times the current setting, the red lamp flashes and the green lamp lights up, which indicates that the relay is at time-delay release status. A current tolerance for serial No.1 is -3%, and a current tolerance for No.2 is +3%.

4.5 Tripping Curve

Tripping class 10A

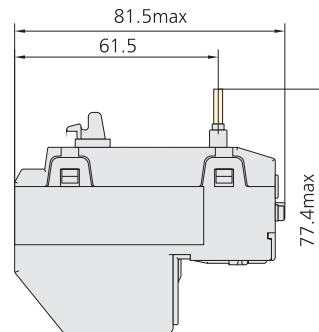
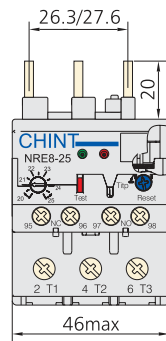
Tripping class 10A



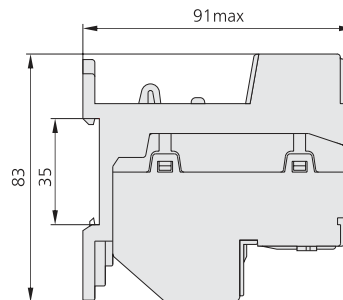
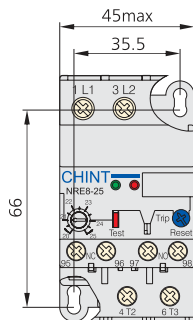
5. Overall and Mounting Dimensions (mm)

5.1 For Combined Mounting

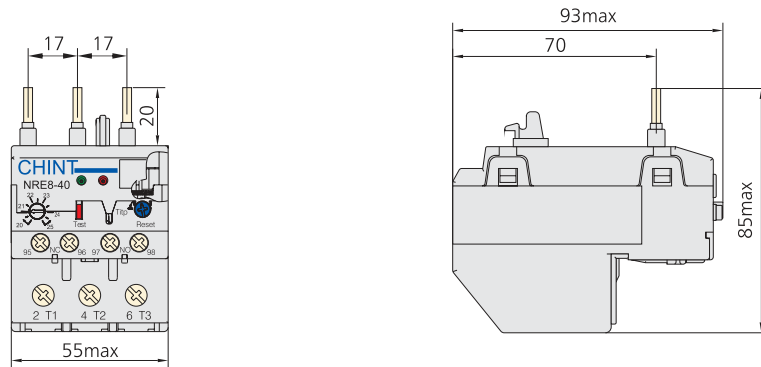
NRE8-25



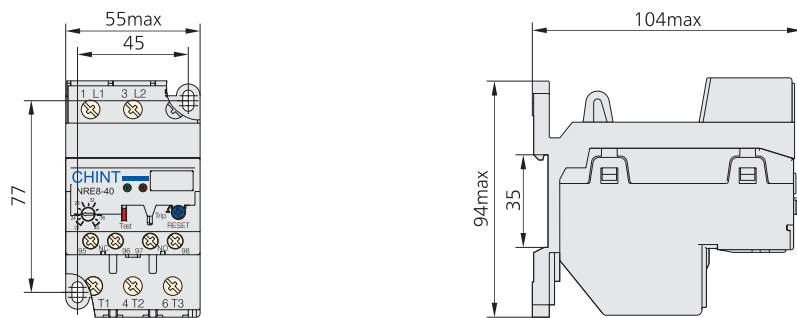
NRE8-25/F



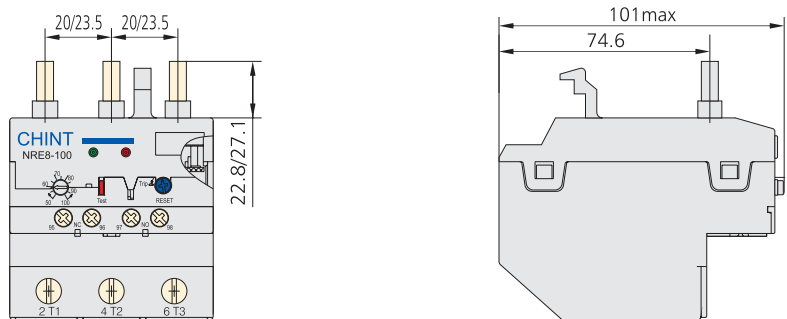
NRE8-40



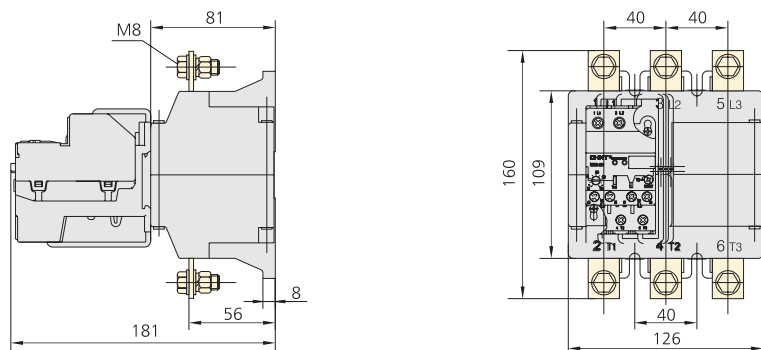
NRE8-40/F

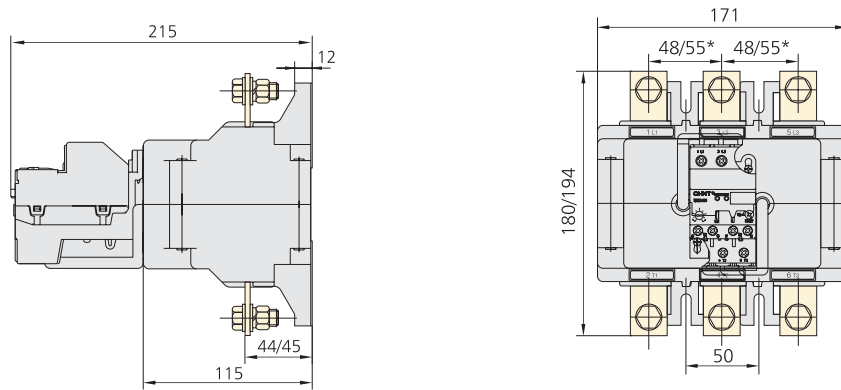


NRE8-100



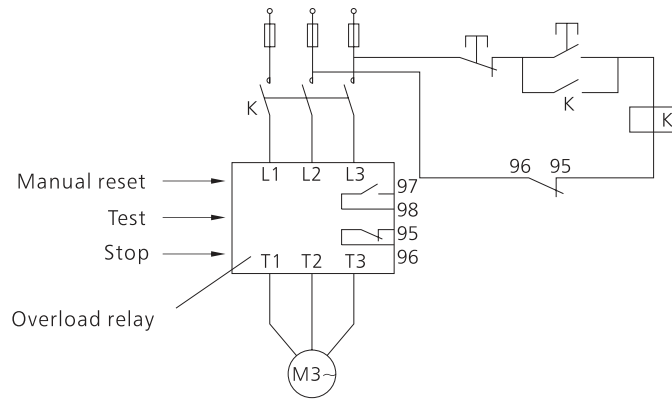
NRE8-200







Note: Dimension with "\*" for the product above 400A.

## 6. Applications








## 7. Accessories

### 7.1 Mounting base

	Description	Application
	NRE8-25 mounting bracket	Incorporates with NRE8-25 to form an independently mounted product
	NRE8-40 mounting bracket	Incorporates with NRE8-25 to form an independently mounted product

7.2 Assembly with contactors

Thermal overload Relay	Rated current (A)	Current setting range (A)	Model of recommended contactor	Model of recommended fuse
 NRE8-25	1.2	0.6~1.2	NC1-09	RT36-4 (NT00-4)
	2.4	1.2~2.4		RT36-6 (NT00-6)
	4	2~4		RT36-10 (NT00-10)
	8	4~8		RT36-16 (NT00-16)
	10	5~10	NC1-12	RT36-20 (NT00-20)
	12	7~12		RT36-25 (NT00-25)
	20	10~20	NC1-16, NC1-25	RT36-40 (NT00-40)
	25	20~25	NC1-25	RT36-50 (NT00-50)
32	22~32	RT36-80 (NT00-80)		
 NRE8-40	4	2~4	NC1-32, NC1-40	RT36-10 (NT00-10)
	8	4~8		RT36-16 (NT00-16)
	10	5~10		RT36-20 (NT00-20)
	20	10~20		RT36-40 (NT00-40)
	40	20~40		RT36-80 (NT00-80)
 NRE8-100	65	30~65	NC1-50, NC1-65	RT36-160 (NT00-160)
	100	50~100	NC1-80, NC1-95	RT36-200 (NT1-200)
 NRE8-200	120	85~120	NC2-115, NC2-150 NC2-185, NC2-225	RT36-250 (NT1-250)
	160	110~160		RT36-315 (NT2-315)
	200	140~200		RT36-400 (NT2-400)
 NRE8-630	250	170~250	NC2-225, NC2-265	RT36-500 (NT3-500)
	315	215~315		RT36-630 (NT3-630)
	400	275~400	NC2-330, NC2-400	RT36-800 (NT4-800)
	500	340~500	NC2-500, NC2-630	RT36-1000 (NT4-1000)
	630	430~630		RT36-1000 (NT4-1000)