



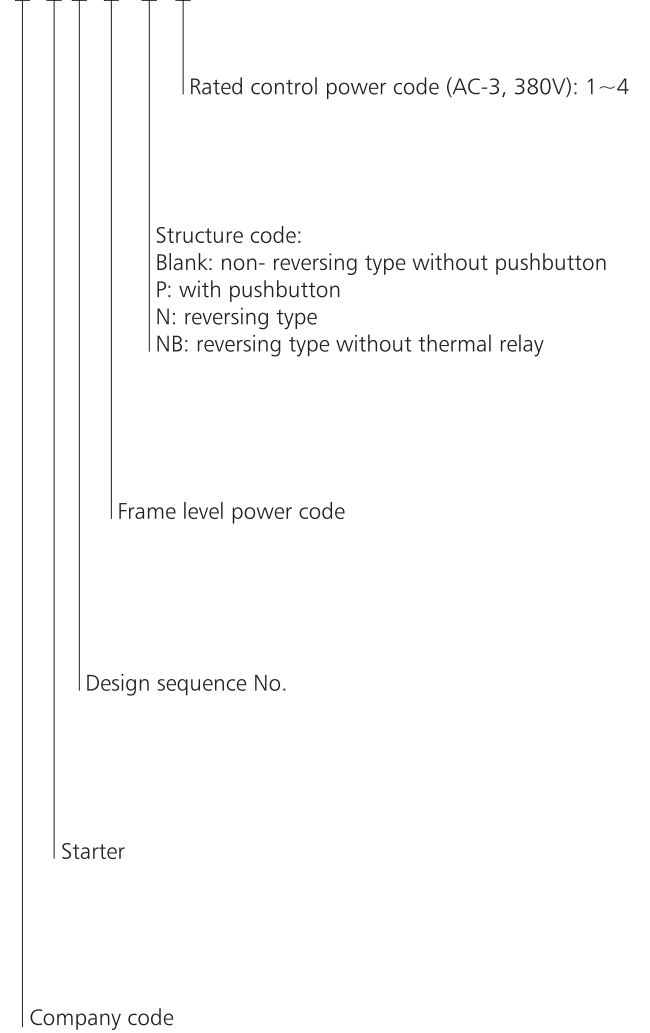
NQ2 Direct On-line Starter

1. General

- 1.1 Electric ratings: up to 690V, 30A, AC 50Hz;
- 1.2 Application: assembly of NC1 contactor and NR2 thermal over-load relay to directly control the motor and protect the motor from overload and phase failure;
- 1.3 IP40
- 1.4 Standard: IEC/EN 60947-4-1

2. Type Designation

N Q 2 15 □/□



3. Technical Data

3.1 NQ2-15

Model	Conventional heating current I _{th} (A)	Rated operational current I _e (A)	Rated power (AC-3)		Model of matched contactor	Model of matched relay	Range of setting current (A)
			(kW)				
			220/230V	380/400V			
NQ2-15/1	13	12	3	5.5	NC1-1210	NR2-25	0.1~0.16
							0.16~0.25
							0.25~0.4
							0.63~1
							1~1.6
							1.25~2
							1.6~2.5
							2.5~4
							4~6
							5.5~8
NQ2-15/2	18	18	4	7.5	NC1-1810	NR2-25	7~10
NQ2-15/3	25	25	5.5	11	NC1-2510		9~13
NQ2-15/4	36	32	9	15	NC1-3210		12~18
NQ2-15/4	36	32	9	15	NC1-3210	NR2-36	17~25
							23~32
							28~36

3.2 NQ2-15 P

Model	Conventional heating current I _{th} (A)	Rated operational current I _e (A)	Rated power (AC-3)		Model of matched contactor	Model of matched relay	Model of matched pushbutton	Range of setting current (A)
			(kW)					
			220/230V	380/400V				
NQ2-15P/1	13	12	3	5.5	NC1-1210	NR2-25	Start: NP2-EA31 Stop: NP2-EA42	0.1~0.16
								0.16~0.25
								0.25~0.4
								0.63~1
								1~1.6
								1.25~2
								1.6~2.5
								2.5~4
								4~6
								5.5~8
								7~10
								9~13
NQ2-15P/2	18	18	4	7.5	NC1-1810			12~18
NQ2-15P/3	25	25	5.5	11	NC1-2510			17~25
NQ2-15P/4	36	32	9	15	NC1-3210	NR2-36		23~32
								28~36

3.3 NQ2-15 N

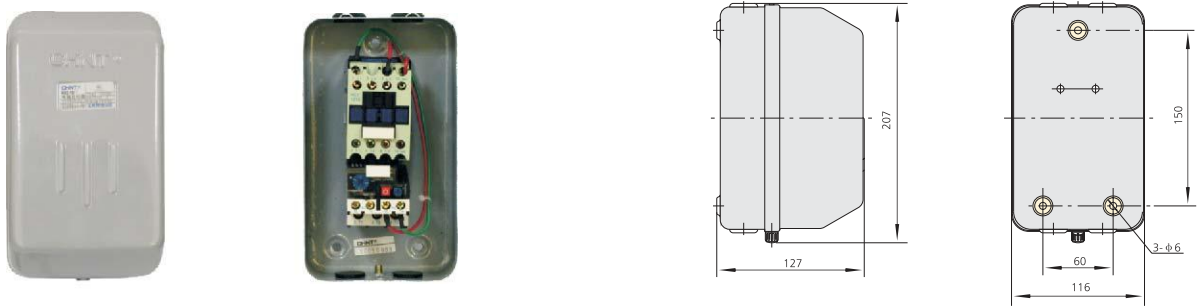
Model	Conventional heating current I _{th} (A)	Rated operational current I _e (A)	Rated power (AC-3)		Model of matched contactor	Model of matched relay	Range of setting current (A)
			(kW)				
			220V	380V			
NQ2-15N/1	13	12	3	5.5	NC1-1210	NR2-25	0.1~0.16
							0.16~0.25
							0.25~0.4
							0.63~1
							1~1.6
							1.25~2
							1.6~2.5
							2.5~4
							4~6
							5.5~8
							7~10
							9~13
NQ2-15N/2	18	18	4	7.5	NC1-1810		12~18
NQ2-15N/3	25	25	5.5	11	NC1-2510		17~25
NQ2-15N/4	36	32	9	15	NC1-3210	NR2-36	23~32
							28~36

3.4 NQ2-15NB

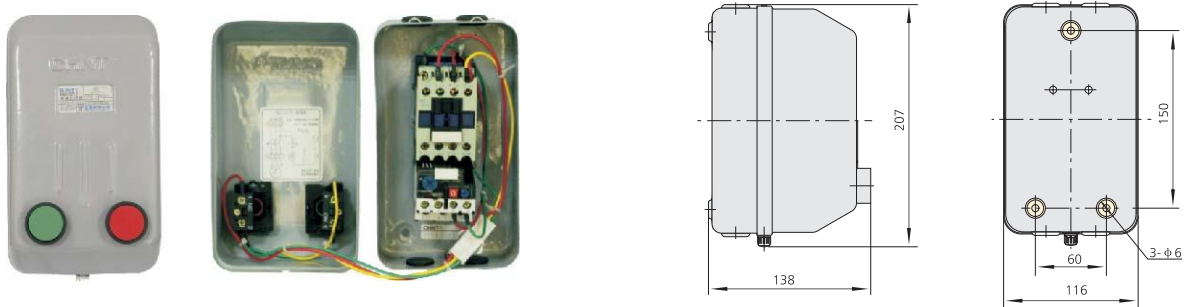
Model	Conventional heating current I _{th} (A)	Rated operational current I _e (A)	Rated power (AC-3)		Model of matched contactor
			(kW)		
			220/230V	380/400V	
NQ2-15NB/1	13	12	3	5.5	NC1-1201N
NQ2-15NB/2	18	18	4	7.5	NC1-1801N
NQ2-15NB/3	25	25	5.5	11	NC1-2501N
NQ2-15NB/4	36	32	9	15	NC1-3201N

4. Overall and Mounting Dimensions (mm)

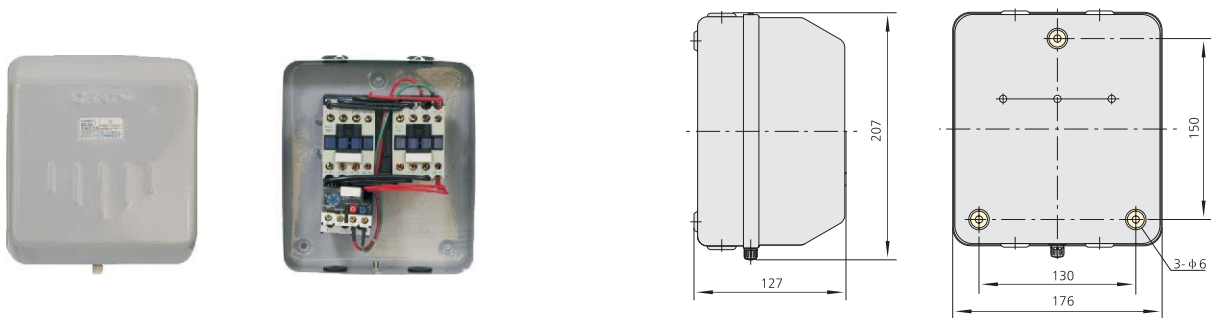
NQ2-15



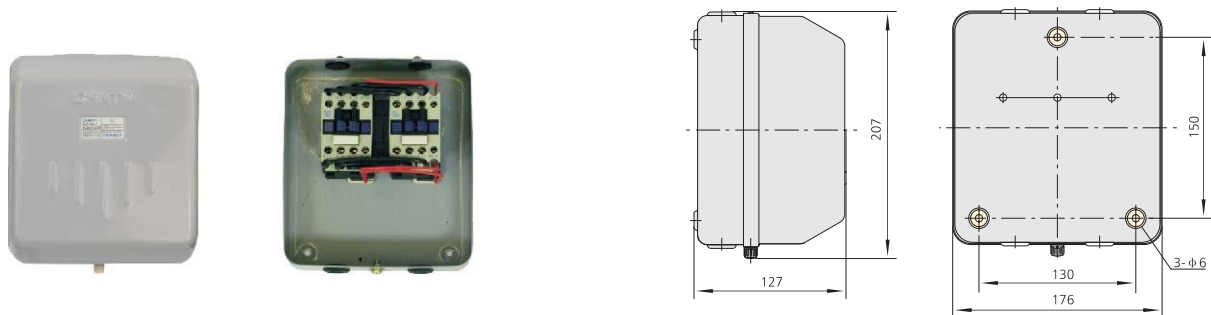
NQ2-15P



NQ2-15N



NQ2-15NB



Note: Rated control power supply voltage of the coil in the starter: 220V, 380V, 415V.