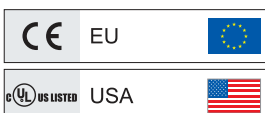




MK Miniature Power Relay

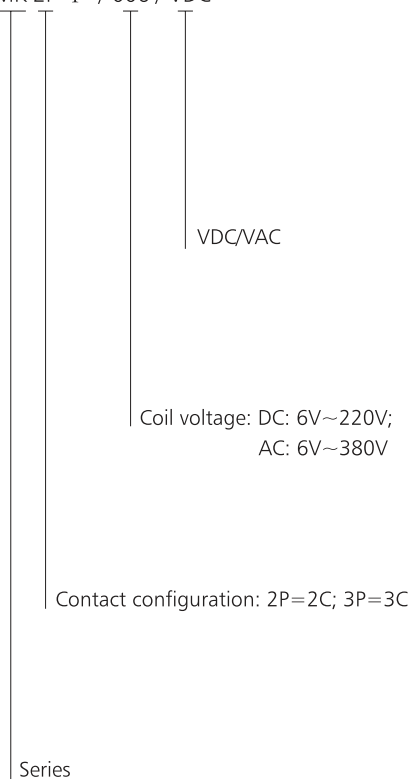
1. Features

- 1.1 10A switching current
- 1.2 With indicator to be selected
- 1.3 Full range of AC and DC coil
- 1.4 Certificate: UL, CE



2. Ordering information

MK 2P- I / 006 / VDC



3. Contact specification

Contact Arrangement		2C, 3C
Initial contact resistance	mΩ	100
Contact material		Silver alloy
Contact load		10A/250VDC, 28VDC
Max. switching voltage	VAC	250
	VDC	125
Max. switching current	A	10
	VA	2500
Max. switching capacity	W	280
Electrical endurance	Cycles($\times 10^3$)	100
Machanical endurance	Cycles($\times 10^6$)	10

4. Coil specification

AC				
Rated voltage	Holding voltage	Must drop-out voltage	Operating range	Power consumption
6	80%Un	30%Un	(80%-110%) Un	3.5VA
12				
24				
48				
110				
220				
380				

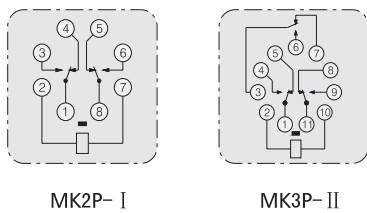
DC				
Rated voltage	Holding voltage	Must drop-out voltage	Operating range	Power consumption
6	75%Un	10%Un	(75%-110%) Un	2W
12				
24				
36				
48				
110				
220				

5. Characteristics

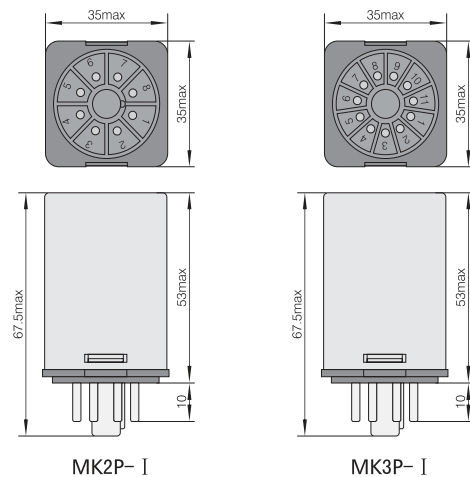
Insulation resistance(at 500VDC)	mΩ	100
Dielectric strength	Between coil & contacts	1500VAC for 1 min
	Between open contacts	1000VAC for 1 min
Operation time	ms	≤20
Release time	ms	≤20
Shock resistance	m/s ²	100
Vibration		10~55Hz, 1mm double amplitude
Humidity		98% RH at +20℃
Ambient temperature range	℃	-40~+55
Termination		Plug-in
Dimension	mm	35×35×52

6. Overall mounting dimensions (mm)

Internal connections (bottom view)



Dimensions

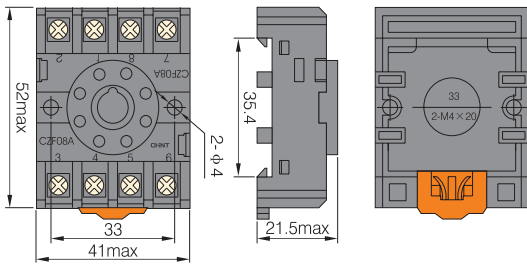


7. Socket

Socket for MK2P- I

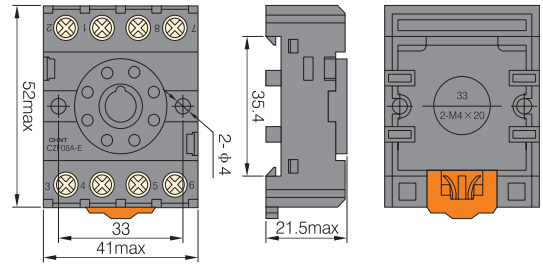
Dimensions: 52×41×21.5(mm)

CZF08A



Dimensions: 52×41×21.5(mm)

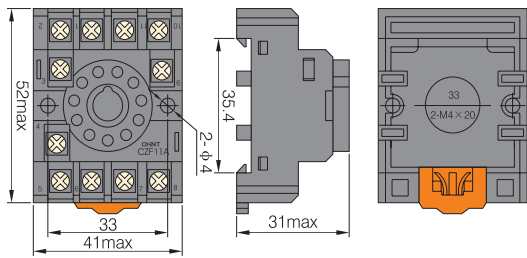
CZF08A-E
with finger proof



Socket for MK3P- I

Dimensions: 52×44×31(mm)

CZF11A



Dimensions: 52×44×31(mm)

CZF11A-E
with finger proof

